
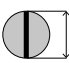
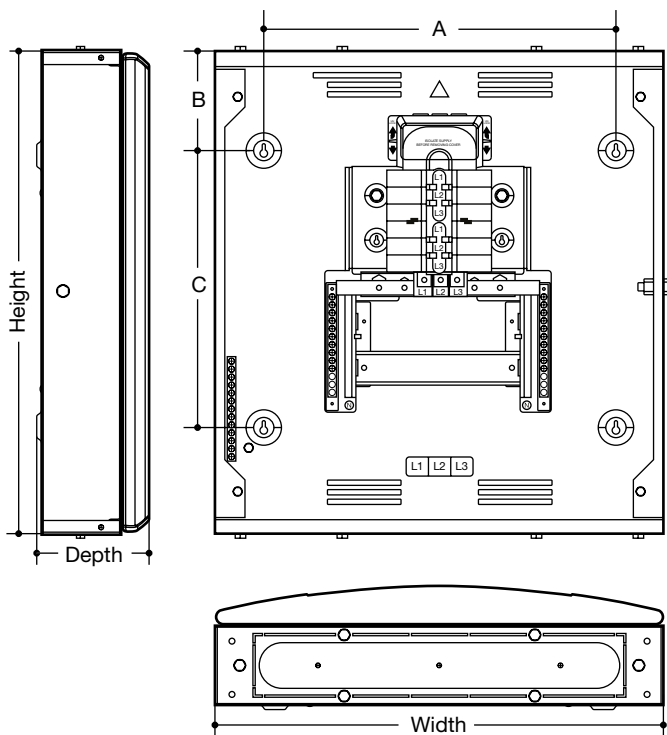


Characteristics	JK1**	JK2**
Standards	Designed, manufactured and tested to BS EN 61439-3	Designed, manufactured and tested to BS EN 61439-3
Busbar Current Rating	125A	250A
Busbar Type	Fully shrouded copper	Fully shrouded copper
Busbar Rating	25kA Conditional	25kA Conditional
Incoming	100A Switch	250A MCS
	125A Switch	250A MCCB
	63A contactor AC3	160A contactor AC3
	100A contactor AC3	
	Direct connection	Direct connection
	RCCB incomers	
Outgoing Ways	4, 6, 8, 12, 16, 18, 24 Triple pole outgoing ways	8, 12, 16, 18, 24 Triple pole way outgoing ways
Outgoing Protection	Type B MCB (6A to 63A, 1P & 3P) Type C, D MCB, (0.5A to 63A, 1P & 3P) 1Mod and 2Mod RCBO	Type B MCB (6A to 63A, 1P & 3P) Type C, D MCB, (0.5A to 63A, 1P & 3P) 1Mod and 2Mod RCBO
Voltage Rating in AC	230 / 415V	230 / 415V
IP Protection	IP3X to BS EN 60529	IP3X to BS EN 60529
Enclosure Body Type	Steel	Steel
Enclosure Paint Type	Powder Coat Grey White BS4800 00A01	Powder Coat Grey White BS4800 00A01
Cable Entry	Obround protected cable entry points	Obround protected cable entry points
<b>Terminal Connection Capacity</b>		
Incoming Line Terminal	50mm <sup>2</sup>	120mm <sup>2</sup>
Incoming Earth Terminal	M8 stud	M8 stud
Incoming Neutral Terminal	50mm <sup>2</sup> cage or M6 stud	M8 Stud
Outgoing Earth Terminals	16mm <sup>2</sup>	16mm <sup>2</sup>
Outgoing Neutral Terminals	16mm <sup>2</sup>	16mm <sup>2</sup>
Enclosure Earth Stud	M8	M8
<b>Installation</b>		
Mounting	4 x key hole fixing holes plus central top key hole for one fixing hanging / levelling Surface Wall Mount	4 x key hole fixing holes plus central top key hole for one fixing hanging / levelling Surface Wall Mount
Gland Plate	Top and bottom removable	Top and bottom removable
Integrated Locking System	Coin lock as standard, key lock as accessory	Coin lock as standard, key lock as accessory

**Torque Settings**

			Cables >1.5mm <sup>2</sup> Tightening torque (N.m)		Cables ≤1.5mm <sup>2</sup> Tightening torque (N.m)		Cable Stripping (mm)
			Single Cable	Multi Cables	Single Cable	Multi Cable	
<b>Consumer unit terminals</b>							
Earth and neutral terminal bars	2	6.5	2	2	1.5	1.5	10
<b>Isolation</b>							
SB switch disconnectors	2	6.5	3.6	3.6	3.6	3.6	15
<b>Circuit protection</b>							
MTN MCB	2	6.5	2.8	2.8	2.8	2.8	13
NBN/NCN/NDN MCB	2	6.5	2.8	2.8	2.8	2.8	13
RCBO	2	5.5	2.1	2.1	2.1	2.1	13
RCCB	2	5.5	2.8	2.8	2.8	2.8	13



## 125A Primary Boards

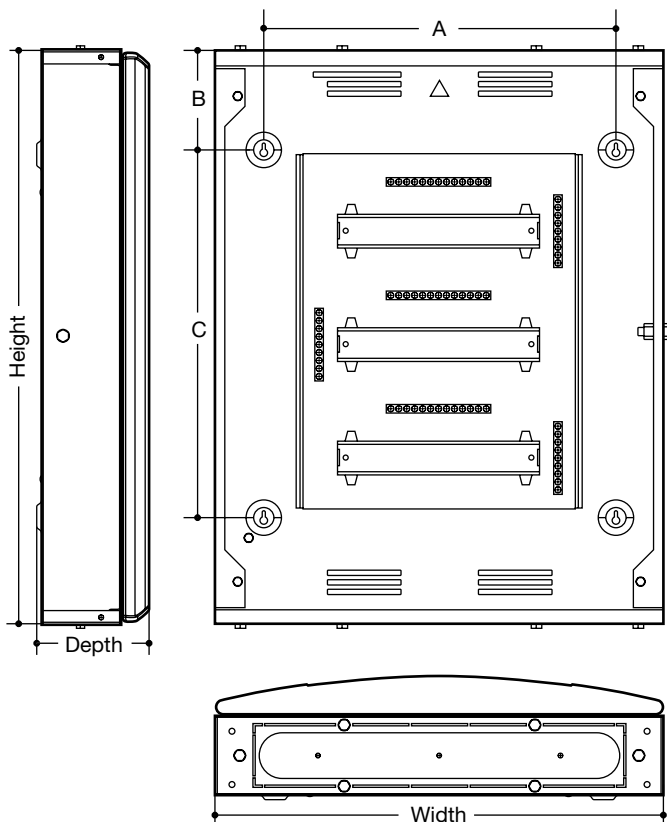
	Dimensions (mm)			Fixing Centres (mm)		
	Height	Width	Depth	A	B	C
JK104B/BG/A3	500	465	132.5	365	100	300
JK106B/BG/A3	550	465	132.5	365	100	350
JK108B/BG/A3	625	465	132.5	365	100	425
JK112B/BG/A3	850	465	132.5	365	100	650
JK116B/BG/A3	950	465	132.5	365	100	750
JK118B/BG/A3	1100	465	132.5	365	100	900
JK124B/BG/A3	1250	465	132.5	365	100	1050

## 250A Primary Boards

	Dimensions (mm)			Fixing Centres (mm)		
	Height	Width	Depth	A	B	C
JK208B/BG/A3	950	465	165.5	365	100	750
JK212B/BG/A3	1100	465	165.5	365	100	900
JK216B/BG/A3	1250	465	165.5	365	100	1050
JK218B/BG/A3	1400	465	165.5	365	100	1200
JK224B/BG/A3	1550	465	165.5	365	100	1350

## Contactors Incomers

	Dimensions (mm)		
	Height	Width	Depth
JK10634C	300	465	165.5
JK11004C	450	465	234.5
JK21604C	450	465	234.5

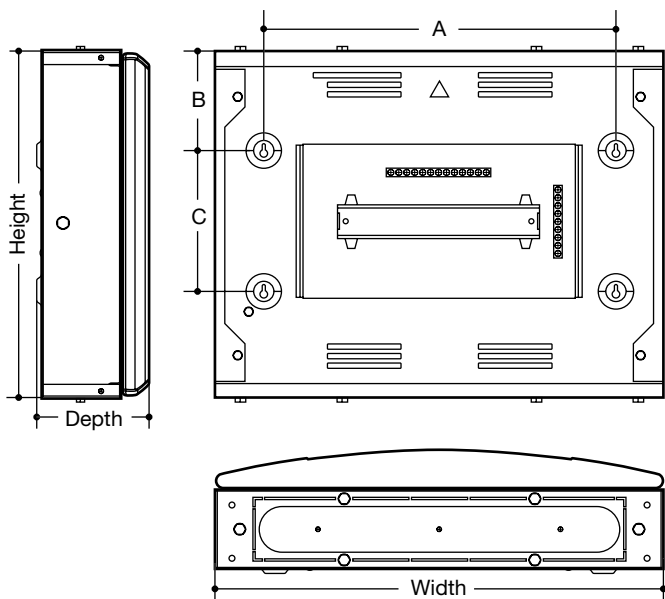


## 125A Side DIN Boxes

	Dimensions (mm)			Fixing Centres (mm)		
	Height	Width	Depth	A	B	C
JK104BDFG	500	465	132.5	365	100	300
JK106BDFG	550	465	132.5	365	100	350
JK108BDFG	625	465	132.5	365	100	425
JK112BDFG	850	465	132.5	365	100	650
JK116BDFG	950	465	132.5	365	100	750

## 250A Side DIN Boxes

	Dimensions (mm)			Fixing Centres (mm)		
	Height	Width	Depth	A	B	C
JK208BDFG	950	465	165.5	365	100	750
JK212BDFG	1100	465	165.5	365	100	900
JK216BDFG	1250	465	165.5	365	100	1050
JK218BDFG	1400	465	165.5	365	100	1200
JK224BDFG	1550	465	165.5	365	100	1350

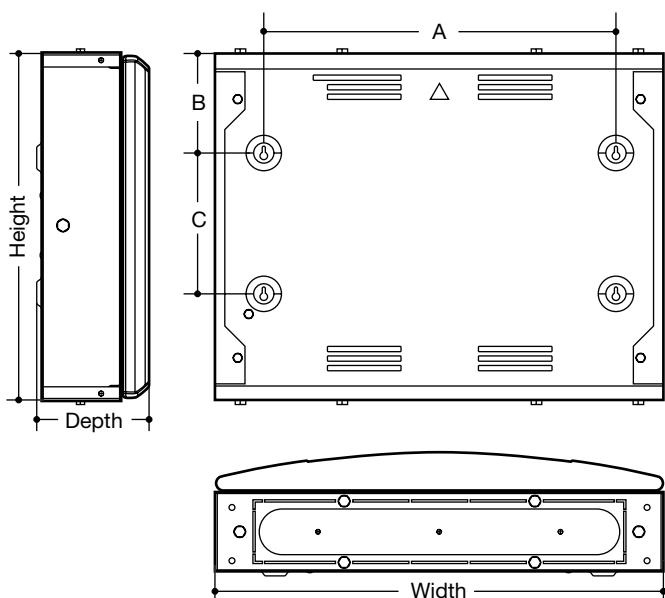


### 125A DIN Extension Boxes

	Dimensions (mm)			Fixing Centres (mm)		
	Height	Width	Depth	A	B	C
JK116E/EG	300	465	132.5	365	150	-
JK132E/EG	450	465	132.5	365	80	290

### 250A DIN Extension Boxes

	Dimensions (mm)			Fixing Centres (mm)		
	Height	Width	Depth	A	B	C
JK216E/EG	300	465	165.5	365	150	-
JK232E/EG	450	465	165.5	365	80	290

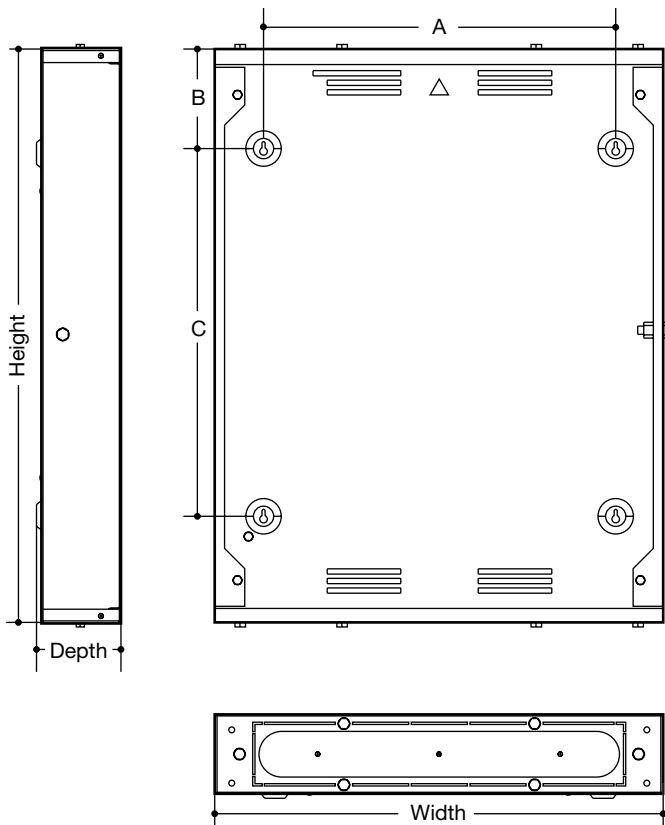


### 125A Cable Spreader Boxes

	Dimensions (mm)				Fixing Centres (mm)		
	Height	Width	Depth without door	Depth with optional door	A	B	C
JK101SE	300	465	91.5	132.5	365	150	-
JK102LE	450	465	91.5	132.5	365	80	290

### 250A Cable Spreader Boxes

	Dimensions (mm)				Fixing Centres (mm)		
	Height	Width	Depth without door	Depth with optional door	A	B	C
JK201SE	300	465	124.5	165.5	365	150	-
JK202LE	450	465	124.5	165.5	365	80	290



## 125A Side Extension Boxes

	Dimensions (mm)			Fixing Centres (mm)		
	Height	Width	Depth	A	B	C
JK104BSF	500	465	91.5	365	100	300
JK106BSF	550	465	91.5	365	100	350
JK108BSF	625	465	91.5	365	100	425
JK112BSF	850	465	91.5	365	100	650
JK116BSF	950	465	91.5	365	100	750

## 250A Side Extension Boxes

	Dimensions (mm)			Fixing Centres (mm)		
	Height	Width	Depth	A	B	C
JK208BSF	950	465	124.5	365	100	750
JK212BSF	1100	465	124.5	365	100	900
JK216BSF	1250	465	124.5	365	100	1050
JK218BSF	1400	465	124.5	365	100	1200
JK224BSF	1550	465	124.5	365	100	1350

## 125A Half Width Side Extension Boxes

	Dimensions (mm)			Fixing Centres (mm)		
	Height	Width	Depth	A	B	C
JK104BSH	500	232.5	91.5	170	100	300
JK106BSH	550	232.5	91.5	170	100	350
JK108BSH	625	232.5	91.5	170	100	425
JK112BSH	850	232.5	91.5	170	100	650
JK116BSH	950	232.5	91.5	170	100	750

## 250A Half Width Side Extension Boxes

	Dimensions (mm)			Fixing Centres (mm)		
	Height	Width	Depth	A	B	C
JK208BSH	950	232.5	124.5	170	100	750
JK212BSH	1100	232.5	124.5	170	100	900
JK216BSH	1250	232.5	124.5	170	100	1050
JK218BSH	1400	232.5	124.5	170	100	1200
JK224BSH	1550	232.5	124.5	170	100	1350

Interface Characteristics	Dual Power & Lighting Boards	Triple Power, Lighting & Services Board
Rated & operational voltage ( $U_n / U_e$ )	415V a.c. 50Hz	415V a.c. 50Hz
Rated insulation voltage ( $U_i$ )	690V a.c. 50Hz	690V a.c. 50Hz
Rated impulse withstand voltage ( $U_{imp}$ )	4kV	4kV
Rated current of the Assembly ( $I_{nA}$ )	125A	200A
Rated current of pan assembly	Lower Pan ( $I_n$ ) = 125A (RDF=1) Upper Pan ( $I_n$ ) = 125A (RDF=1)	Lower Pan ( $I_n$ ) = 125A (RDF=1) Middle Pan ( $I_n$ ) = 125A (RDF=1) Upper Pan ( $I_n$ ) = 125A (RDF=1)
Rated current of an Outgoing Circuit ( $I_{nc}$ )	MCB 0.5A - 63A (marked rated current on device) RCBO 6A - 45A (marked rated current on device)	MCB 0.5A - 63A (marked rated current on device) RCBO 6A - 45A (marked rated current on device)
Rated conditional short-circuit current of the assembly ( $I_{cc}$ )	10kA1 with equipment and arrangements specified in Hager's technical documentation/catalogue	10kA <sup>1</sup> with equipment and arrangements specified in Hager's technical documentation/catalogue
Protection against electric shock	Equipment shall be installed in an electrical system conforming to IEC 60364 / BS 7671	Equipment shall be installed in an electrical system conforming to IEC 60364 / BS 7671
Rated Diversity Factor (RDF) / Values of assumed loading	10 way to 24 way = 0.5 Note: RDF only applies to continuously and simultaneously loaded circuits.	10 way to 24 way = 0.5 Note: RDF only applies to continuously and simultaneously loaded circuits.
Rated frequency (fn)	50 Hz	50 Hz
Pollution degree	2	2
Types of system earthing for which the assembly is designed	TNC-S, TN-S and TT when installed in an electrical system conforming to BS 7671	TNC-S, TN-S and TT when installed in an electrical system conforming to BS 7671
Intended locations	Indoor use only	Indoor use only
<b>Stationary Assembly</b>		
Degree of protection	IP3XD with Door Closed IP2XC with Door Open	IP3XD with Door Closed IP2XC with Door Open
Intended use	Distribution boards intended to be operated by ordinary persons (DBO)	Distribution boards intended to be operated by ordinary persons (DBO)
Electromagnetic compatibility (EMC) classification	EMC Environment B	EMC Environment B
External design	Wall-mounted, surface type, enclosed assembly.	Wall-mounted, surface type, enclosed assembly.
Mechanical impact protection	IK05	IK05
The type of construction	Fixed parts	IK05
DBO Type	Type B DBO	Type B DBO
Incoming Line Terminal	70mm <sup>2</sup> (switch disconnecter)	70mm <sup>2</sup> (switch disconnecter)
Incoming Neutral Terminal	50mm <sup>2</sup> Cage	50mm <sup>2</sup> Cage
Enclosure Earth Stud	M6	M6
Standards	BS EN 61439-3	BS EN 61439-3